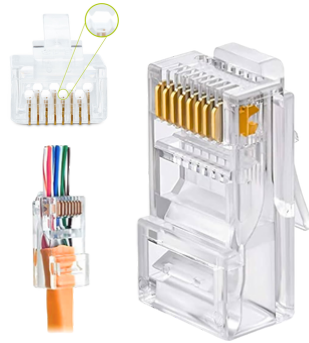


RJ45 CAT6 PASS THROUGH CONNECTOR, RS852101



100pcs



RS852101

Material Details

Type:	RJ45 CAT6
Contact Material:	Phosphor Bronze
Pin Material:	Golden-plated
Insulation Diameter:	1.1mm
Connector type:	Crimping

Electrical

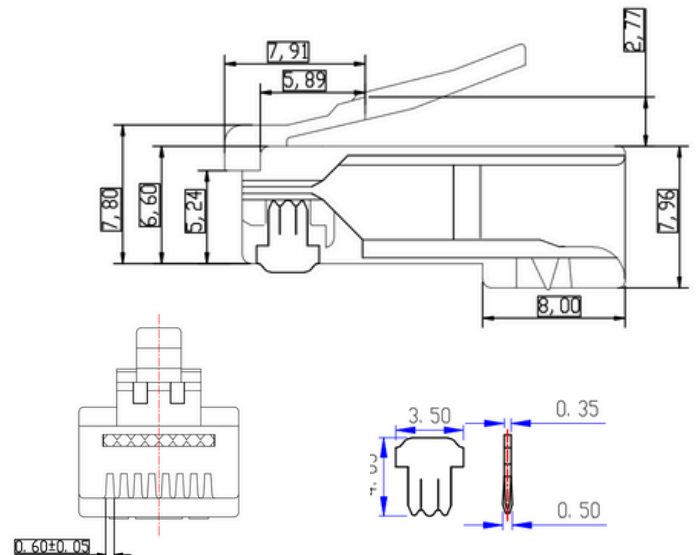
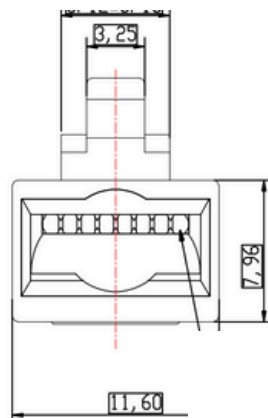
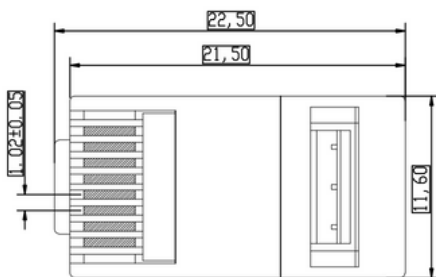
Rated Voltage:	250V AC max at 2A
Dielectric Withstanding Voltage:	Phosphor Bronze
Insulation Resistance:	500 MΩ
Termination Resistance:	35 mΩ

Mechanical

Cable-to-Plug Tensile Strength:	20 lbs (89 N) minimum
Durability:	500 mating cycles

Package

100pcs in Plastic Jar



Building 1, No. 396 Dalingshan Avenue, Dalingshan Town, Dongguan City, Guangdong Province