



**RS18U60W57X**

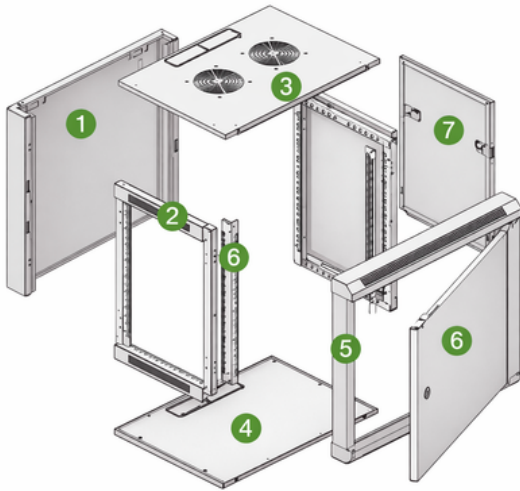
Width	Depth	Height
570	600	900

## Features

## Flat Pack

- Flat packing and patent frame, packing time is less than 5 minutes, around 1/3-1/4 assembled original volume when flat pack.
- Cable entry on both of top cover and bottom panel.
- Steel front door, opening direction of door can be changed, turning angle of front door is over 180 degrees.
- Different optional style of doors
- Wall mounted panel, convenience for installation, locked from inside with screw, avoiding to be stolen or accidentally dropped.
- Flat side panel, easy installation.
- Installation depth of mounting profile can be available changed.
- 19"standard installation.

Specification	Details
Height:	18U
Width:	570 mm
Depth:	600 mm
Overall Height:	900 mm
Mounting:	Wall-mounted
Packaging:	Flat packed for protection & storage
Assembly:	Simple and quick assembly
Color:	RAL 9004 (Black)



**RS18U60W57X**

Component	Qty	Material	Thickness	Finish
Back Frame	1	SPCC Cold Rolled Steel	1.0 mm	Powder Coated
Side Frames	2	SPCC Cold Rolled Steel	1.0 mm	Powder Coated
Top Cover	1	SPCC Cold Rolled Steel	1.0 mm	Powder Coated
Bottom Panel	1	SPCC Cold Rolled Steel	1.0 mm	Powder Coated
Front Frame	1	SPCC Cold Rolled Steel	1.0 mm	Powder Coated
Front Door	1	5mm Tempered Glass + SPCC Frame	1.2 mm	Powder Coated
Side Panels	2	SPCC Cold Rolled Steel	1.0 mm	Powder Coated
19" Mounting Rails	2	SPCC Cold Rolled Steel	1.2 mm	Powder Coated
Screws & Nuts	10	Steel	—	Zinc Plated



## Standards & Compliance

- ANSI/EIA RS-310-D
- IEC 60297-2
- DIN 41494 (PART 1 & PART 7)



**RS18U60W57X**

## Included Accessories

- M6 Screws & Cage Nuts
- Keys
- Earthing Kit
- Wall Mount Hanging Base
- Assembly Manual

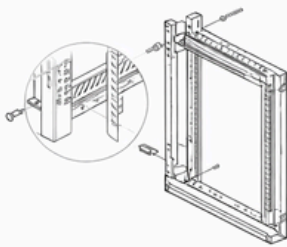
## Applications

### Ideal for:

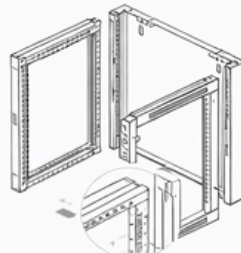
- Network equipment
- Patch panels & switches
- CCTV & security systems
- Small server and telecom installations
- Suitable for offices, homes, shops, and light industrial environments.



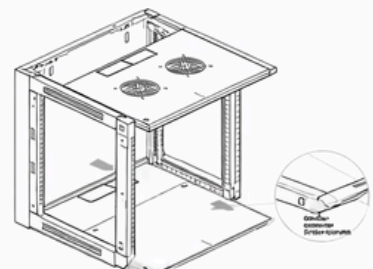
## Assembling Draft



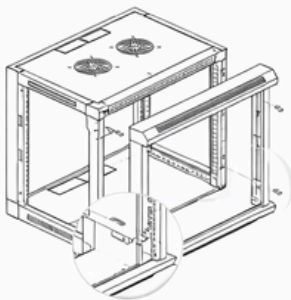
Fix 19" mounting rails to the first holes of top & bottom of side frames by 4sets of M5\*10 screws.



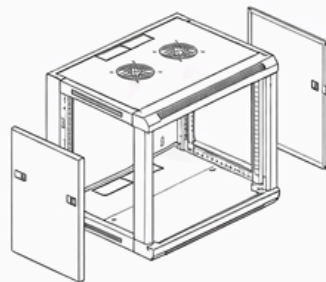
Install side frames to the **grooves** of back frame by 4pcs of M6\*12 screws.



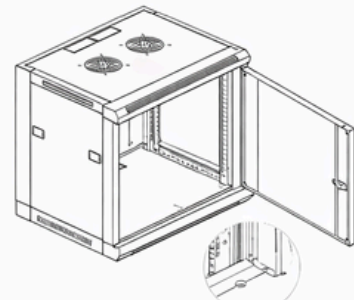
Install top and bottom as shown by the arrow in the picture.



Install front frame by 4pcs of M6\*12 screws (6pcs of M6\*12 screws if more than 18U).



Install side panels.



Install front door.