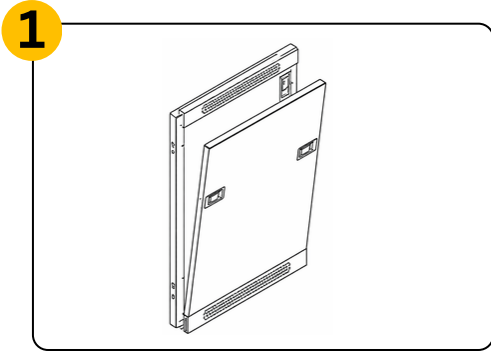
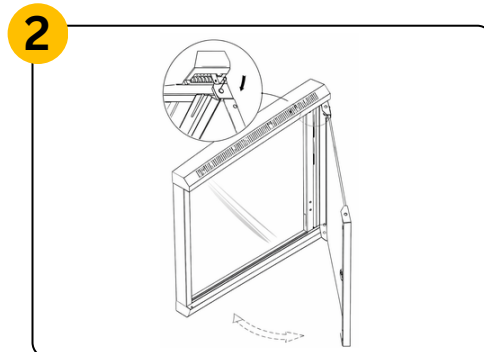


1. Front Door - 1pcs
2. Front Frame - 1pcs
3. Side Frame - 2pcs
4. Side Panel - 2pcs
5. Top - 1pcs
6. Back Frame - 1pcs
7. 19" Mounting Rails - 2pcs
8. Bottom - 1pcs
9. Package of Accessories

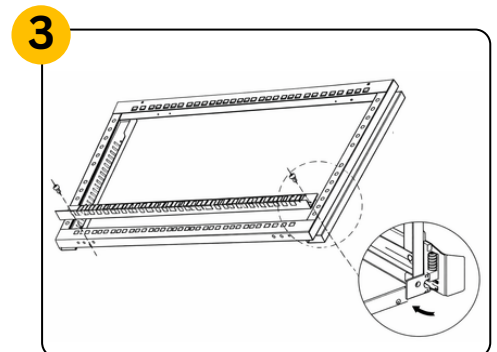
- M5x10 self-tapping screws—8pcs
 M6x12 screws—21U & More than 21U, 12pcs
 less than 21U, 8pcs
- M6x12 screws & square nuts—
 12U & less than 12U, 10SET
 More than 12U, 20SET



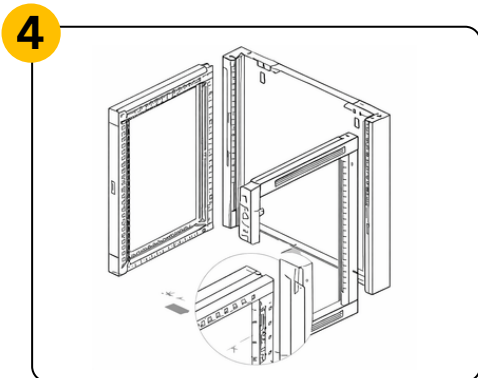
1 Remove [7] Mounting Rails from [2] Front Frame, put them separate for the preparation of the frame assembly



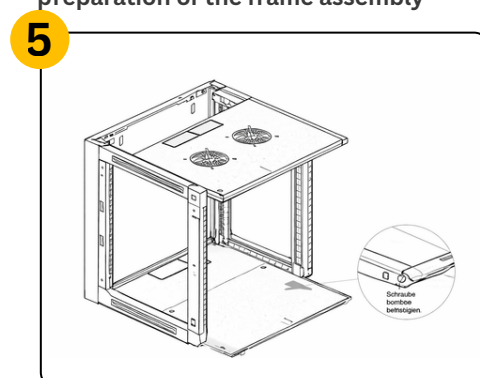
2 Open the front door by key, pull the door latch downward, refer to the picture, remove the front door from front frame, put them separate for the preparation of the frame assembly



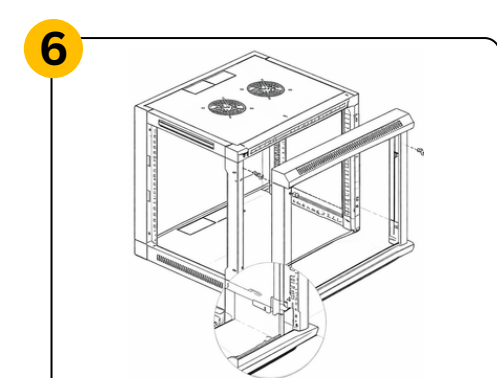
3 Fix 19" Mounting Rails to the first holes of top & bottom of side frames by 4 sets of M5 screws



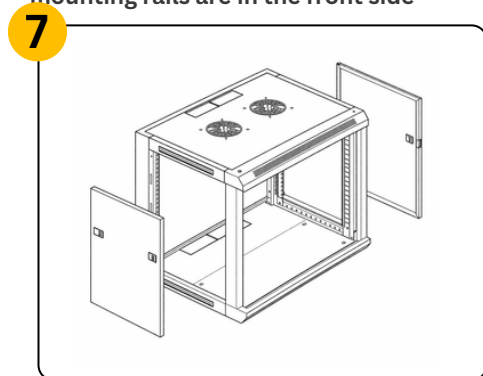
4 Install Side frames to the grooves of back frame by 4pcs of M6*12 screws (6pcs if more than 18U) as shown by the arrow in the picture, note that 19" mounting rails are in the front side



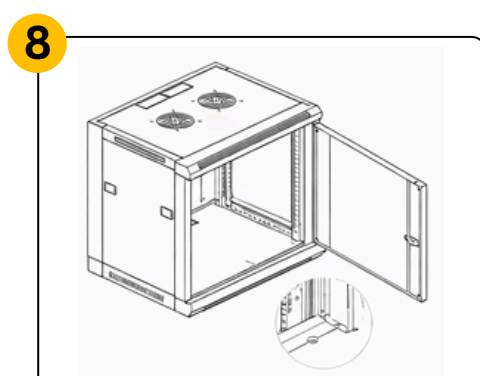
5 Install Top & Bottom as shown. Tip: Please note the direction when install bottom, screws will be in the front side, please refer to picture



6 Install Top Frame by 4pcs of M6*12 screws (6pcs of M6*12 screws if more than 18U), refer to the picture



7 Install Side Panels, refer to the picture



8 Repetition step 2, install front Door
 TIP: SPACE LITE X enclosures is the bolted structure, need to adjust the diagonal size of enclosure after ten assembly, ensure homogenous space for all doors and doors work well