

42U RACK CABINET VERTICAL STAND FLOOR 600*600*2000mm



RS42U60W60VSX

Include

- Cooling fan unit with integrated switch and UK power plug
- 1 × Fixed shelf, 350mm depth (side-mounted)
- Full assembly accessories and installation manual

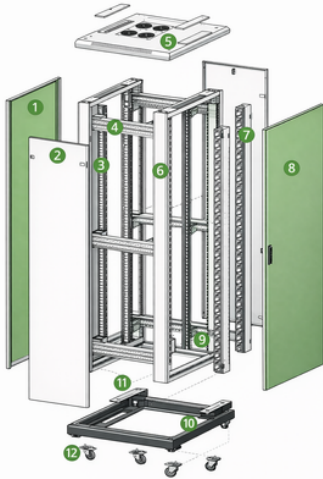
Features

- Exquisite design with precise dimension and craftsmanship
- Several styles of front and rear doors options available
- Adjustable feet and heavy duty castors are available simultaneously
- Cable entry on the top cover and bottom panel with adjustable sizes
- Optional installation of plinth to enable cabinets fixation, under-base cable entry/ventilation
- Efficient and reliable cabinet connection by buying kits
- Removable side panels to ease maintain.

Specification	Details
Height:	42U
Width:	600 mm
Depth:	600 mm
Overall Height:	2000 mm
Cabinet Type:	Vertical Stand (Floor)
Packaging:	Flat packed for protection & storage - 3 pcs
Assembly:	Simple and quick assembly
Color:	RAL 9004 (Black)



42U RACK CABINET VERTICAL STAND FLOOR 600*600*2000mm



Front & Rear Door (Type 0)

- Tempered glass door
- Front Swivel Lock
- Reversible right- or left-handed doors
- Turning angle over 180°

Material:

- Sheet steel
- 5mm safety glass
- Surface Finish:
- Powder coated

Color:

- RAL 9004



RS42U60W60VSX

Specification	Qty	Material	Surface Finish
Rear door	1	—	—
Side panel	2	SPCC T1.0mm	Powder coated
19" rails	4	SPCC T2.0mm	Zinc-plated
Mounting angle	4./6	SPCC T1.2mm	Powder coated
Top cover	1	SPCC T1.2mm	Powder coated
Frame	2	SPCC T1.2mm	Powder coated
Cable management slot	2	SPCC T1.0mm	Powder coated
Front door	1	—	—
Mounting spacer	8./12	SPCC T1.2mm	Powder coated
Bottom	1	SPCC T1.2mm	Powder coated
Cable entry panel	4	SPCC T1.2mm	Powder coated
2" heavy-duty caster	4	—	—

Hardware Kits Included with Cabinet

Description	Qty	Material	Surface Finish
M12 Adjustable Feet	4	Steel	Zinc-plated
M6 Screws & Nuts	40	Steel	Zinc-plated
Trox Tooling	1	Steel	Zinc-plated



42U RACK CABINET VERTICAL STAND FLOOR 600*600*2000mm

Standards & Compliance

- ANSI/EIA RS-310-D
- IEC 60297-2
- DIN 41494 (PART 1 & PART 7)



RS42U60W60VSX

Included Accessories

- M6 Screws & Cage Nuts
- Keys
- Assembly Manual

Applications

Ideal for:

- Network equipment
- Patch panels & switches
- CCTV & security systems
- Small server and telecom installations
- Suitable for offices, homes, shops, and light industrial environments.

