



**RS15U45W60**

Width	Depth	Height
600	450	770

Flat Pack

## Features

- Welded frame, reliable structure
- Standing or wall mounting installation
- Adjustable feet and heavy duty castors are optional
- Easy mounting installation (patent)
- 19" standard installation
- Removable side panels, side locks optional
- Cable entry on both of top cover and bottom panel
- Turning angle of front door is over 180 degrees
- Logo on Front Door
- Removable Back Side
- Wall Hang Included

Specification	Details
Height:	15U
Width:	600 mm
Depth:	450 mm
Overall Height:	770 mm
Mounting:	Wall-mounted
Packaging:	Flat packed for protection & storage
Assembly:	Simple and quick assembly
Color:	RAL 9004 (Black)

## Standards & Compliance

- ANSI/EIA RS-310-D
- IEC 60297-2
- DIN 41494 (PART 1 & PART 7)



RS15U45W60

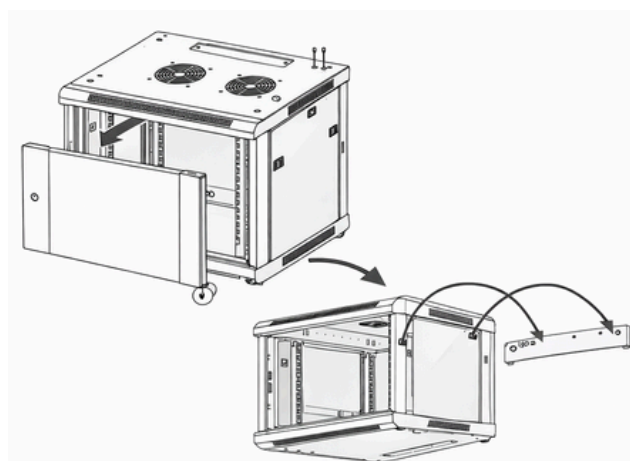
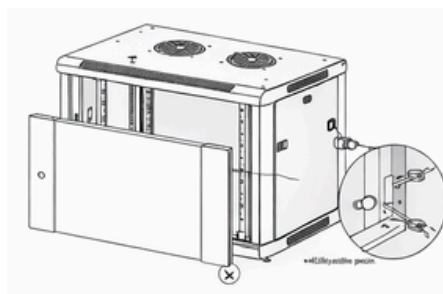
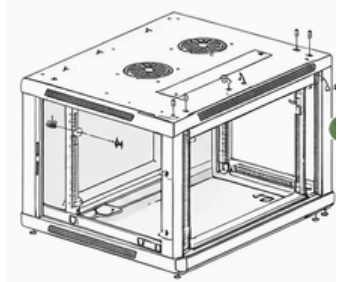
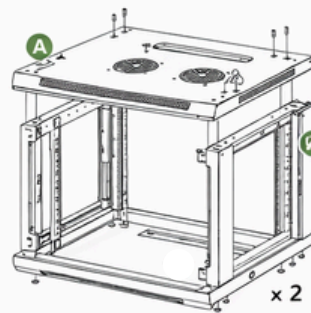
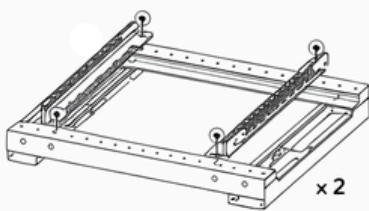
## Included Accessories

- M6 Screws & Cage Nuts
- Keys
- Wall Mount Hanging Base
- Assembly Manual

## Applications

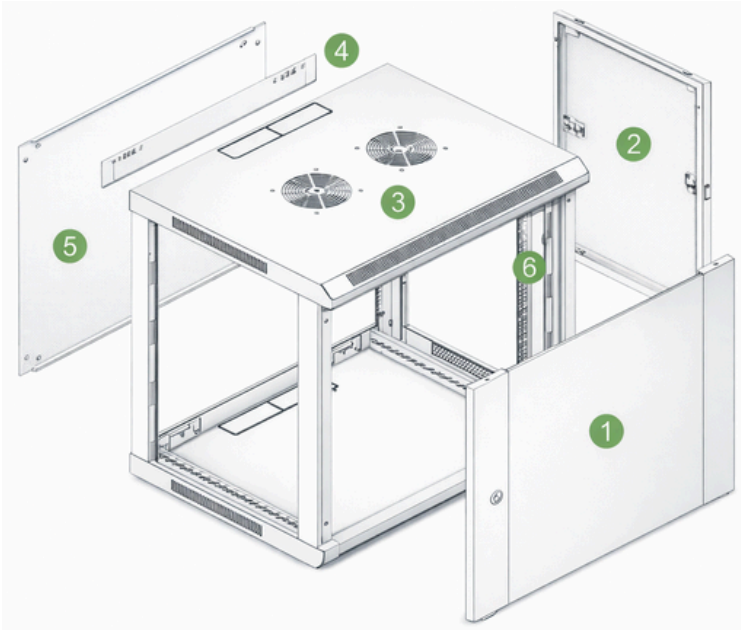
### Ideal for:

- Network equipment
- Patch panels & switches
- CCTV & security systems
- Small server and telecom installations
- Suitable for offices, homes, shops, and light industrial environments.



# 15U WALL MOUNT RACK CABINET

SPACE



RS15U45W60

Component	Qty	Material	Remarks
Front Door	1	5mm Tempered Glass + SPCC Frame (T1.2mm)	Fitting optional
Side Panel	2	SPCC Cold Rolled Steel (T1.0mm)	Removable
Frame	1	SPCC Cold Rolled Steel (T1.2mm)	Main structure
Mounting Profile	1	SPCC Cold Rolled Steel (T1.2mm)	19" standard
Back Panel	1	SPCC Cold Rolled Steel (T1.0mm)	Removable
19" Rails	4	SPCC Cold Rolled Steel (T1.2mm)	Adjustable
M6 Screws & Nuts	10	Steel	Included



Product Datasheet